

# TEST REPORT

Report No. : BJ-R230523105A-03-EN

Test Item : IP69K Test

Client : Shenzhen Huafurui Technology Co., Ltd.

Address : Unit 1401 &1402, 14/F, Jinqi Zhigu Mansion (No. 4 Building of Chongwen Garden), Crossing of the Liuxian Street and Tangling Road, Taoyuan Street, Nanshan District, Shenzhen, P.R. China

Inspected Engineer: Liu Yuehui Date Of Approval: May 30, 2023

Reviewed Engineer: Luo Ningsheng Date Of Approval: May 30, 2023

Authorized Signatory: Zhang Jianbiao Date Of Approval: May 30, 2023



# Content

1.Sample Information .....	2
2.Test Results .....	2
3.IP69K Test .....	3
3.1 Laboratory Environment .....	3
3.2 Test Information .....	3
3.3 Test Equipment .....	3
3.4 Test Standard .....	3
3.5 Test Conditions .....	3
3.6 Test Photos .....	5

## 1. Sample Information

Sample Name	Smartphone
Sample Model	KINGKONG POWER
Trade Name	CUBOT
Sample No.	BJ-R230523105A-5#~6#
Sample Size	/
Weight Of Sample	/
Sample Quantity	2 PCS
Manufacturer	Shenzhen Huafurui Technology Co., Ltd.
Address	Unit 1401 &1402, 14/F, Jinqi Zhigu Mansion (No. 4 Building of Chongwen Garden), Crossing of the Liuxian Street and Tangling Road, Taoyuan Street, Nanshan District, Shenzhen,P.R. China
Sample Source	Commissioned units send sample
Inspection Type	Commissioning test
Sample Description	Sample appearance is good

## 2. Test Results

Test Items	Sample No.	Test Results
IP6KX Test	5#	After test, there was no dust enter the enclosure of sample and the function was normal.
IPX9K Test	6#	After test, there was no water enter the enclosure of sample.

### 3.IP69K Test

#### 3.1 Laboratory Environment

Ambient temperature:25±3℃      Relative humidity:55±20%RH

#### 3.2 Test Information

Sample No.	Received Date	Date Of Test(s)
BJ-R230523105A-5#	May 23,2023	May 25,2023~May 26,2023
BJ-R230523105A-6#	May 29,2023	May 29,2023

#### 3.3 Test Equipment

Test Equipment	Equipment Model	Equipment No.	Calibration Date
Dust proof test chamber	TL-SC-1000L	2023030901	Apr.13,2023
Hi-Temp. & Hi-Pressure Water Injection Test Chamber	TL-IPX9K-1000	2018102201	Apr.13,2023

#### 3.4 Test Standard

Test according to ISO 20653-2013 Road vehicles - Degrees of protection (IP code) -protection of electrical equipment against foreign objects ,water and access.

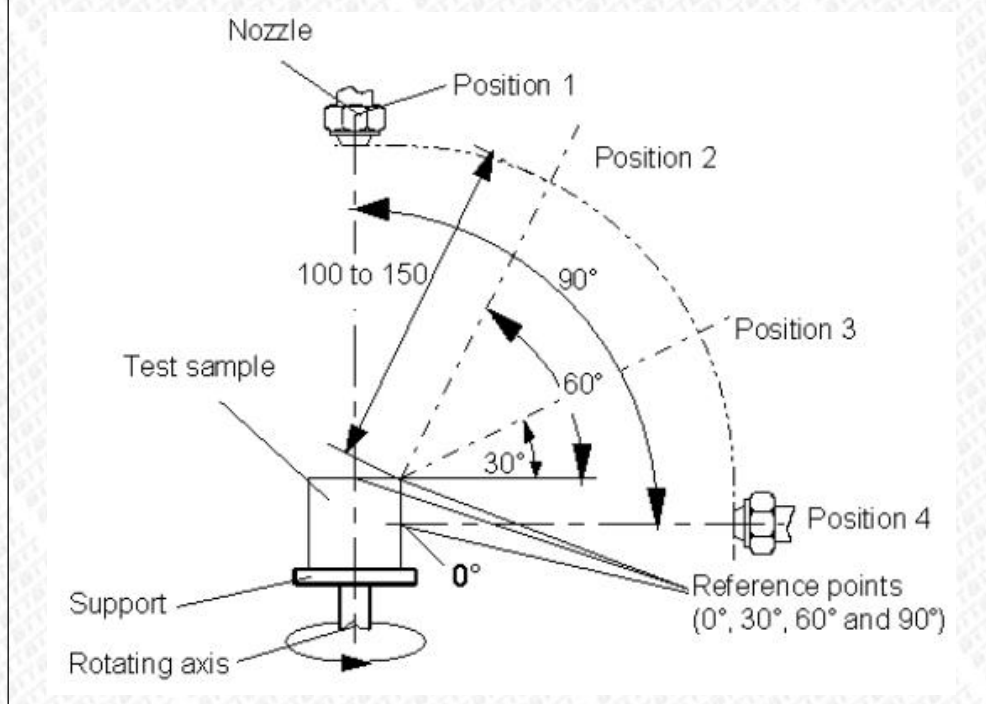
#### 3.5 Test Conditions

##### 3.5.1 IP6KX test

Dust type	Arizona dust
Dust amount	2kg/m <sup>3</sup>
Test time	6s movement of the air-dust mixture, 15min break, 20 cycles

3.5.2 IPX9K test

Water temperature	80±5℃
pressure	(8000~10000) kPa
Water flow	14~16L/min
distance	10~15cm
Angle and time	0°、30°、60°、90° 30 seconds per angle



This report is considered invalidated without the Special Seal for Inspection of the BTT. The customer is responsible for the accuracy, authenticity and completeness of the sample(s) and information submitted by the customer, and the company assumes no responsibility for it. This report is only responsible for the result(s) of the sample(s) tested, and the result(s) only reflect the evaluation of the sample(s) tested. The result(s) in this report are used for the purpose of corporate internal product research and development, quality control, scientific research, teaching, etc. This report shall not be copied partly without the written approval of BTT. Any objections to report issued by BTT should be submitted to BTT within 30 days after the issuance of the test report.

### 3.6 Test Photos

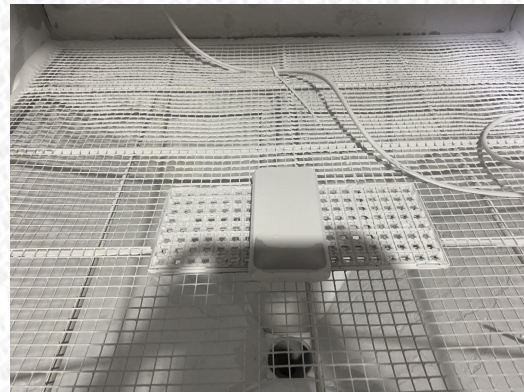
Before test



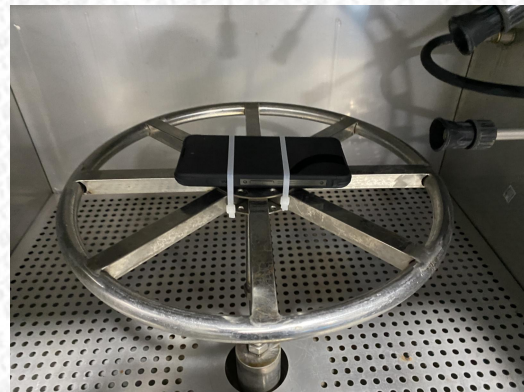
This report is considered invalidated without the Special Seal for Inspection of the BTT. The customer is responsible for the accuracy, authenticity and completeness of the sample(s) and information submitted by the customer, and the company assumes no responsibility for it. This report is only responsible for the result(s) of the sample(s) tested, and the result(s) only reflect the evaluation of the sample(s) tested. The result(s) in this report are used for the purpose of corporate internal product research and development, quality control, scientific research, teaching, etc. This report shall not be copied partly without the written approval of BTT. Any objections to report issued by BTT should be submitted to BTT within 30 days after the issuance of the test report.

Test setup

IP6KX: 5#



IPX9K: 6#



This report is considered invalidated without the Special Seal for Inspection of the BTT. The customer is responsible for the accuracy, authenticity and completeness of the sample(s) and information submitted by the customer, and the company assumes no responsibility for it. This report is only responsible for the result(s) of the sample(s) tested, and the result(s) only reflect the evaluation of the sample(s) tested. The result(s) in this report are used for the purpose of corporate internal product research and development, quality control, scientific research, teaching, etc. This report shall not be copied partly without the written approval of BTT. Any objections to report issued by BTT should be submitted to BTT within 30 days after the issuance of the test report.

After test--IP6KX

5#



This report is considered invalidated without the Special Seal for Inspection of the BTT. The customer is responsible for the accuracy, authenticity and completeness of the sample(s) and information submitted by the customer, and the company assumes no responsibility for it. This report is only responsible for the result(s) of the sample(s) tested, and the result(s) only reflect the evaluation of the sample(s) tested. The result(s) in this report are used for the purpose of corporate internal product research and development, quality control, scientific research, teaching, etc. This report shall not be copied partly without the written approval of BTT. Any objections to report issued by BTT should be submitted to BTT within 30 days after the issuance of the test report.



After test--IPX9K

6#



Blank

\*\*\*End of report\*\*\*